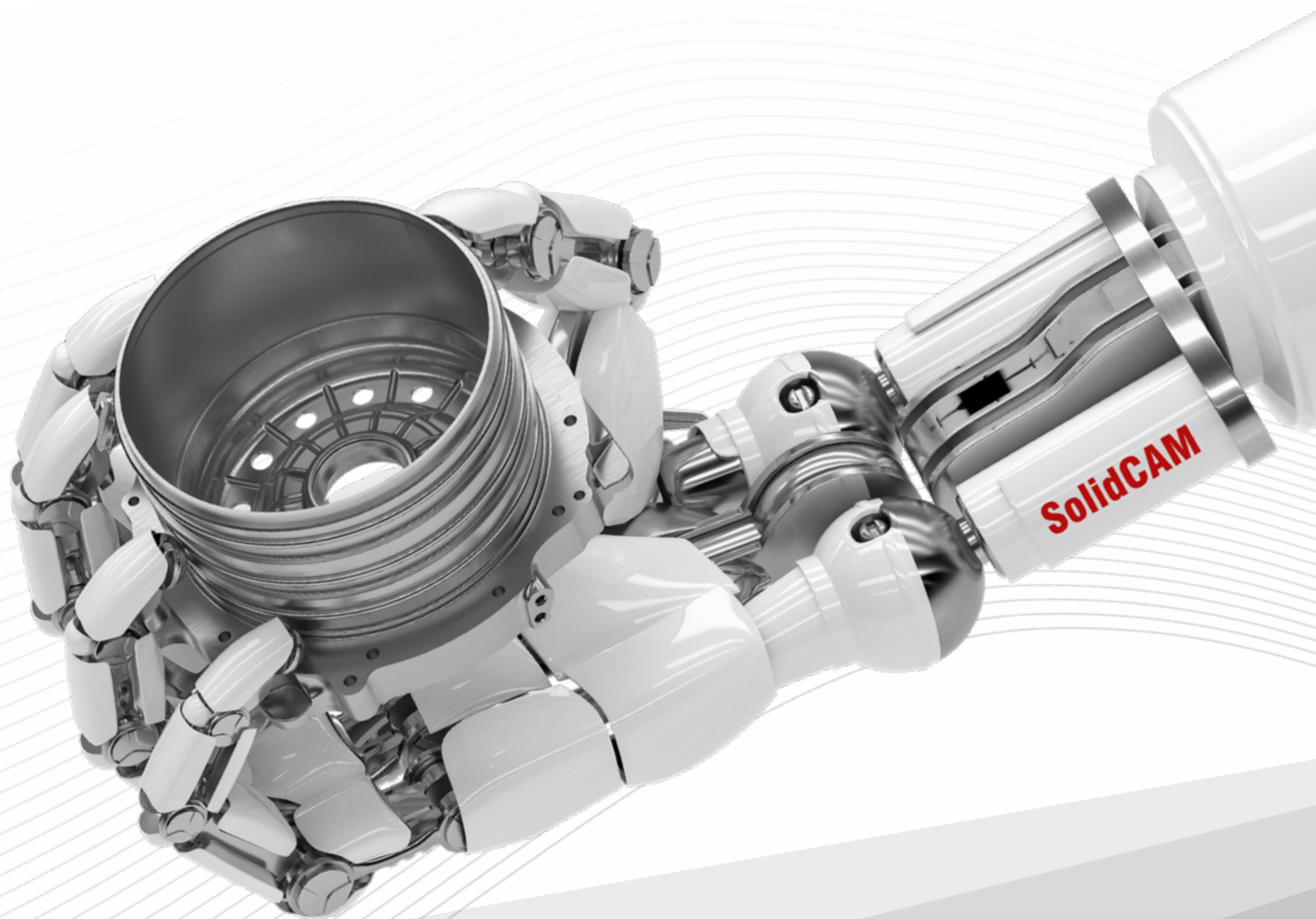


SolidCAM

The Future of CAM
in Your Shop Today!

The complete CAM Solution, with revolutionary
iMachining, MillTurn⁺ and Swiss-Type, seamlessly
integrated in SOLIDWORKS[®] and Inventor[®]



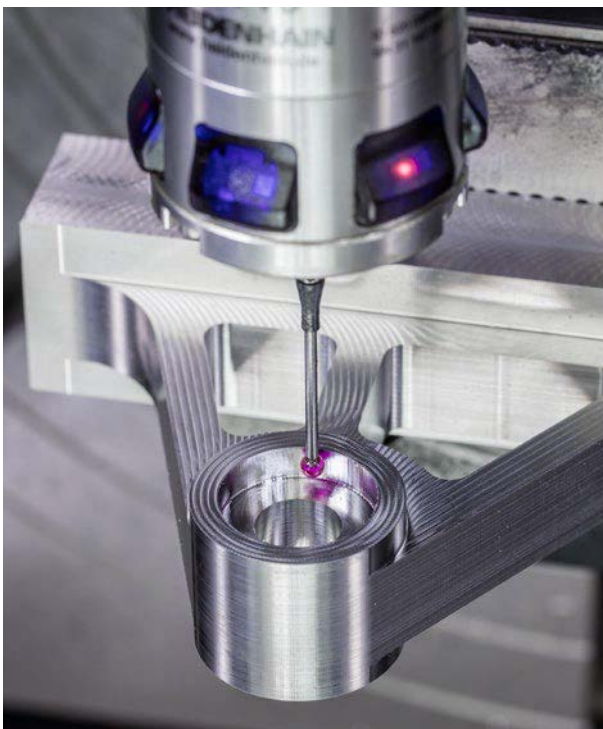
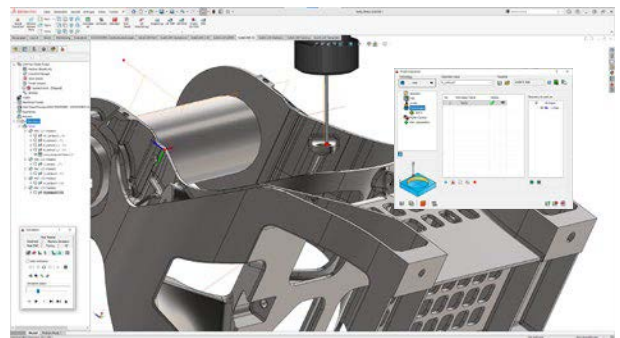
SOLID PROBE



Probing & Measuring Made Easy

Solid Probe is the SolidCAM module that provides capabilities for Home definition and On-Machine Verification, using probes on the CNC machine, to do setup and control the quality of machined parts.

Full visualization of all the probe movements, provided by SolidCAM Machine Simulation, enables you to avoid any potential damage to the Probe tool.



Solid Probe is a Must for Every Machinist using Probes:

- + Easy Home definition
- + On-Machine Verification
- + Tool Presetter support
- + Easy geometry selection on solid model
- + Supports a wide range of probe cycles
- + Visualization of all the Probe tool movements
- + Support of different Probe controllers

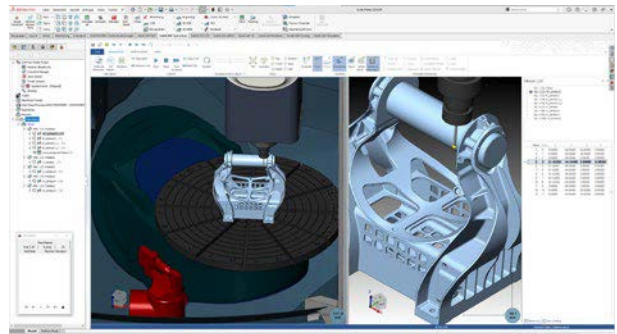
Combined Probe and Machining Operations

Machining operations and Probe operations are intermixed in the SolidCAM CAM manager and can use the same geometries on the solid CAD model. When the solid model is changed, both the machining and probe operations can be automatically synchronized to the change.



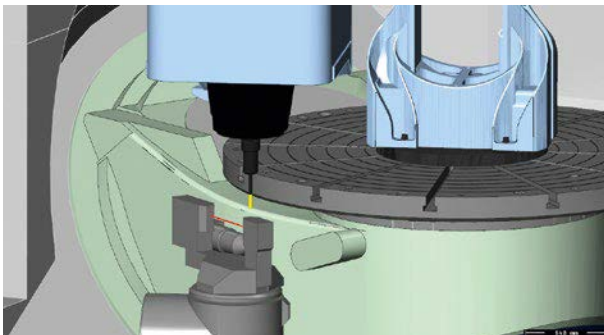
Home Definition

Solid Probe provides an easy solution for home setting, using 16 different cycles, to easily define home positions, replacing manual setup procedures.



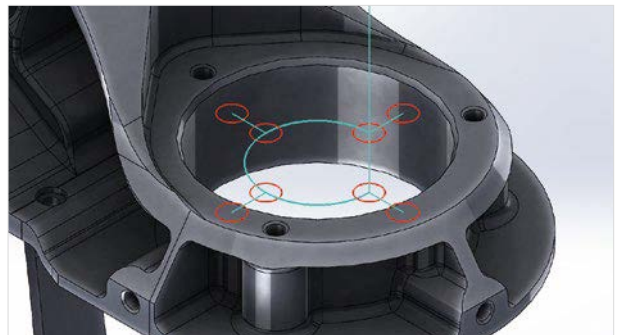
On-Machine Verification

Solid Probe cycles are used for measuring machined surfaces, without transferring the part to a CMM machine – the part can be inspected on the CNC machine itself.



Tool Presetter Support

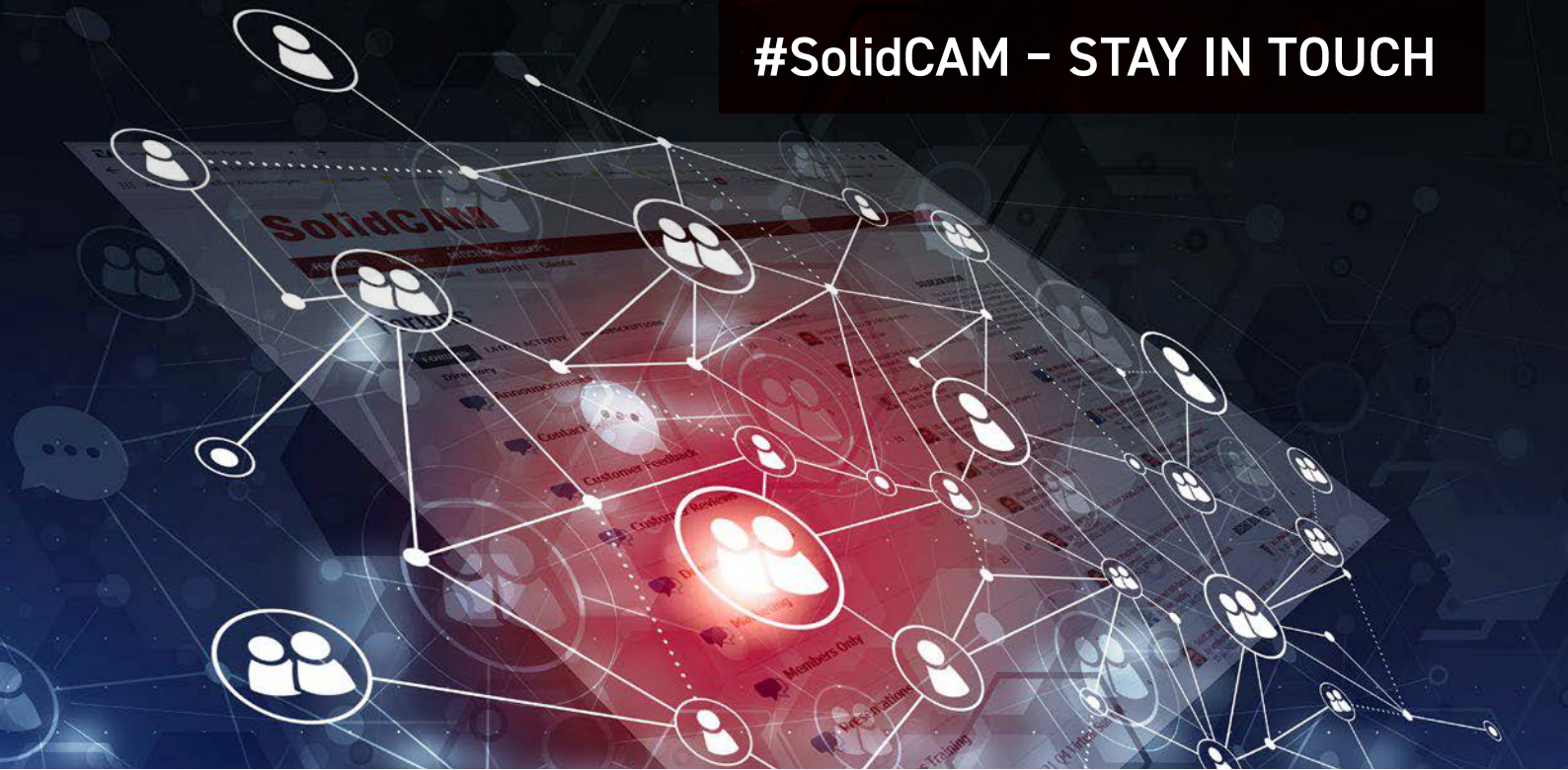
Solid Probe includes Tool Presetter support to check your milling and turning tools, between Machining operations and tool change events. It also provides tool breakage detection for continuous and safe machining.



Preview of Cycle Movements

Solid Probe uses the same geometry as the 2.5D milling operations. Full control over tolerances, different sorting options and preview of cycle movements are provided.

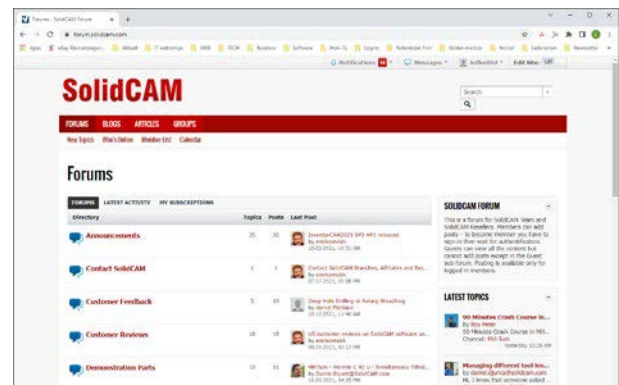
#SolidCAM – STAY IN TOUCH



Welcome to the SolidCAM Forum

We believe that up-to-date information for our customers and resellers is a priority, so we launched the SolidCAM forum, where everyone can get in depth information about SolidCAM products and future developments.

Check out forum.solidcam.com for more details or get the **SolidCAM Forum App** available for IOS and Android from the App-Store & Google Playstore.



SolidCAM on Facebook

Join our Facebook page for daily posts in your News Feed about SolidCAM News, iMachining Success Stories, SolidCAM Professor Recordings, Upcoming Webinars, Events and Product releases.

www.facebook.com/SolidCAM



SolidCAM on YouTube

See recorded SolidCAM webinars and powerful cutting videos of SolidCAM & iMachining, on our SolidCAM YouTube channels:

www.youtube.com/SolidCAMiMachining

www.youtube.com/SolidCAMProfessor



SolidCAM on Twitter

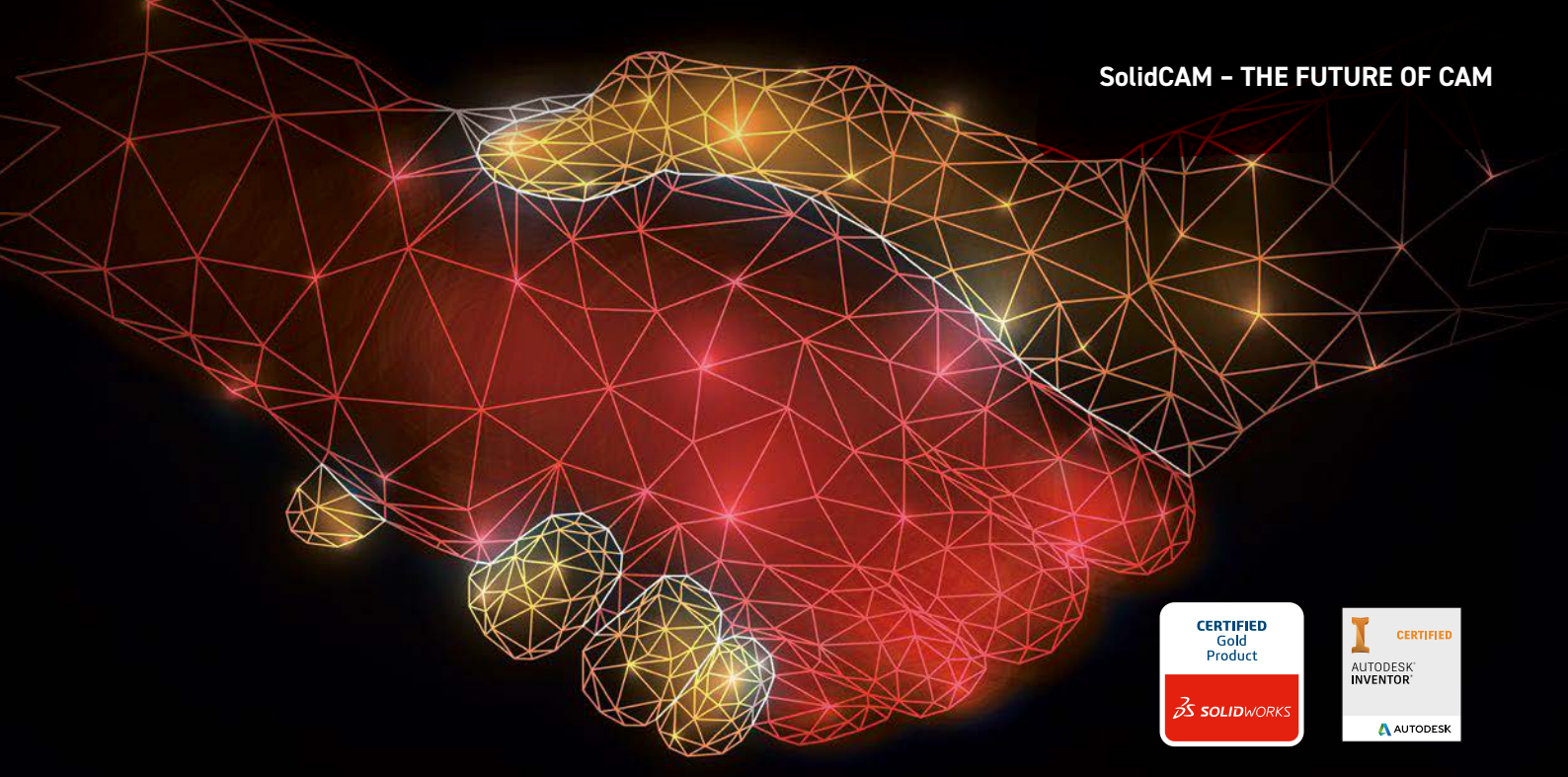
<https://twitter.com/solidcam>



Follow us on Instagram

<https://www.instagram.com/imachining/>





AMERICAS

SolidCAM Inc.

E-Mail: inonorthamerica@solidcam.com
Phone: +1 866 975 1115

ASIA-PACIFIC

SolidCAM ANZ

E-Mail: info@solidcam.com.au
Phone: +61 7 3805 7518

SolidCAM India

E-Mail: info.india@solidcam.com
Phone: +91 11 49425170

SolidCAM China

E-Mail: marketing.china@solidcam.com
Phone: +86 10 8599 7302

SolidCAM Japan K.K.

E-Mail: info.japan@solidcam.com
Phone: +81 3 6300 6730

SolidCAM Korea

E-Mail: info_korea@solidcam.com
Phone: +82 32 876 8762

SolidCAM Singapore Pte Ltd

E-Mail: snges@solidcam.com.sg
Phone: +65 9737 8116

EUROPE

SolidCAM GmbH

E-Mail: info@solidcam.de
Phone: +49 7422 2494-0

SolidCAM UK

E-Mail: info@solidcamuk.com
Phone: +44 1226 241744

SolidCAM France

E-Mail: info@solidcam.fr
Phone: +33 3 4457 1385

SolidCAM Baltics

E-Mail: info@solidcam.lv
Phone: +371 26882932

SolidCAM Italia

E-Mail: info@solidcam.it
Phone: +39 051 0952911

SolidCAM Spain

E-Mail: info@solidcam.es
Phone: +34 900 909 878

SolidCAM CZ

E-Mail: ivan.cimr@solidcam.cz
Phone: +420 603 893 701

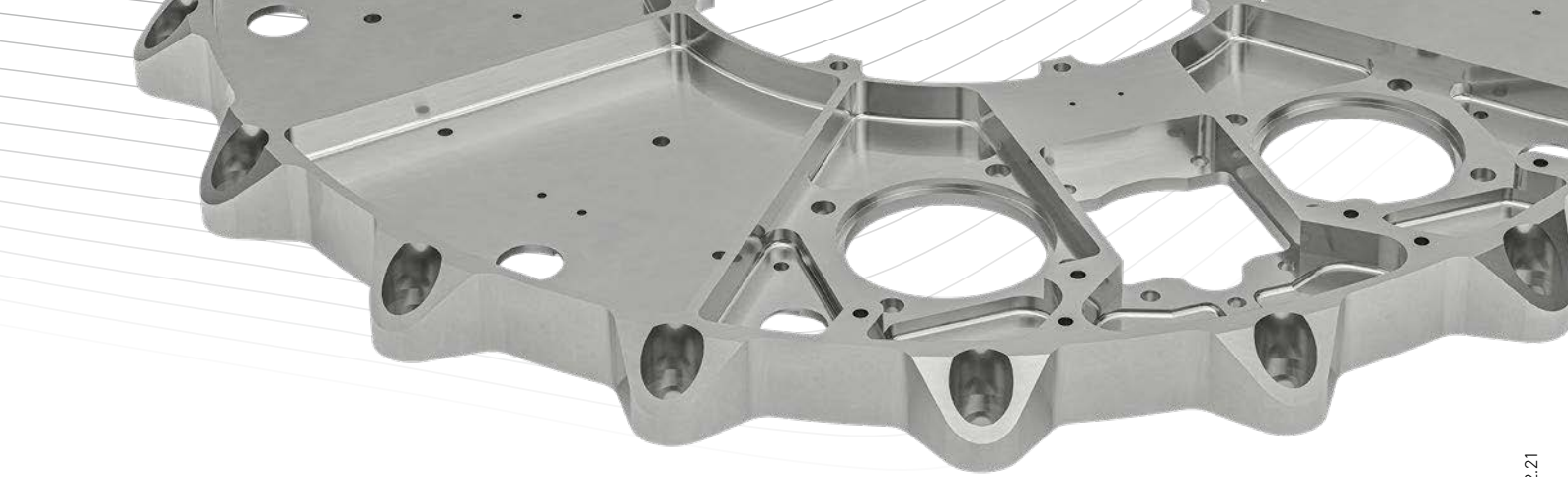
SolidCAM Ltd.

E-Mail: info@solidcam.com
Phone: +972 3 5333 150

SolidCAM in Your Country

Contacting a SolidCAM office or reseller is easy. The complete list of our worldwide, dedicated distribution and support network is available on solidcam.com





” My personal goal was to be able to program all CNC machining operations consistently with a single CAM system. The biggest challenge here was to bring the Swiss-type lathes on board. Thanks to the extensive support provided by SolidCAM, that also worked out wonderfully!”

Steffen Rudischhauser | Managing Director
Rudischhauser Surgical Instruments & Implants Manufacturing GmbH | rudischhauser.com



” What matters to us are the structure and quality of the generated CNC programs that go to the machine, as well as how quickly and easily they can be generated. The service at SolidCAM is unparalleled. The technicians have done a great job with the post-processors for our complex Bumotec machines. And if we ever have a problem, someone from the support team is immediately offering help. These days, that isn't a given; it's unique!”

Stjepan Matacun | Production Manager
Stuckenbrock Medizintechnik GmbH

” After only two weeks with SolidCAM we had more success than with the previous CAM system after three years. We can now program the most complex workpieces much faster. Creating the tools is much easier and I can already program a part even if the final tool data is not yet completely available. This was not possible in the past.”

Franz Fuchs | CNC & CAM Programming
Hefter Maschinenbau GmbH & Co. KG | hefter.de

